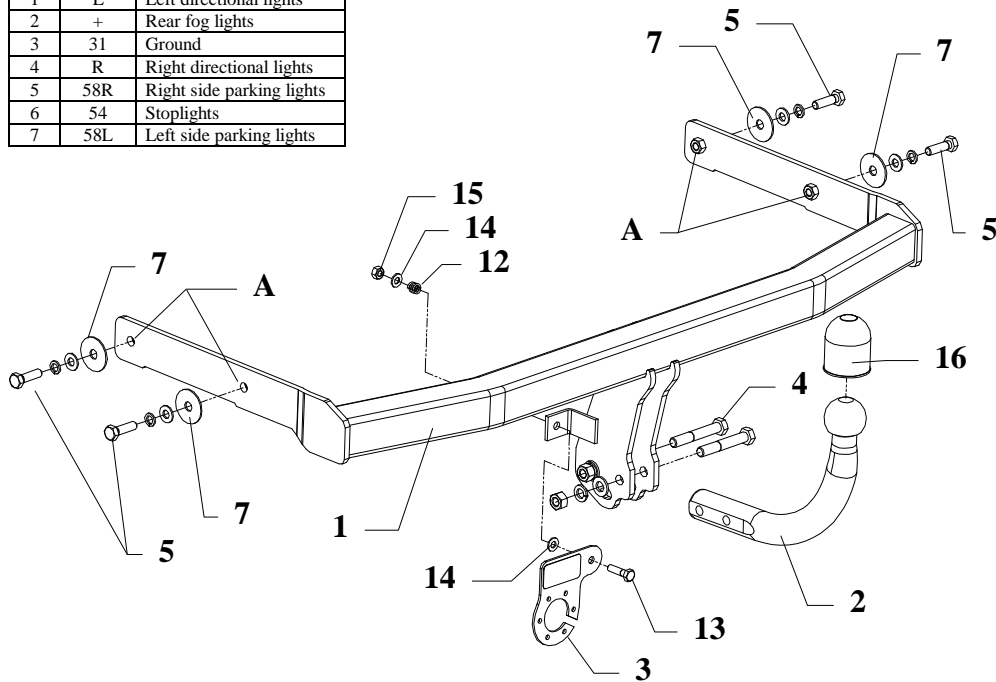


FITTING INSTRUCTION

Clamp mark in acc. with		Cables joining
ISO	PN	
1	L	Left directional lights
2	+	Rear fog lights
3	31	Ground
4	R	Right directional lights
5	58R	Right side parking lights
6	54	Stoplights
7	58L	Left side parking lights



This towbar is designed to assembly in following car:
SEAT IBIZA 3-5 doors, produced since 05.2002 till 2008, catalogue no. **SC42** and is prepared to tow trailers max total weight **1200 kg** and max vertical load **50 kg**.

From manufacturer

Thank you for buying our product. Their reliability has been confirmed in many tests. Reliability of towbar depends also on correct assembly and right operation. For this reasons we kindly ask to read carefully this instruction and apply to hints.

The towbar should be install in points described by a car producer.

The instruction of the assembly

1. Disassemble the rear bumper and original metal bumper support (this part is not used any more)
2. Slide the bar of towbar (pos. 1) to the chassis members (do it such a way holes (pos. A) cover original holes in the chassis members), then fix it using bolts M10x35mm (pos. 5) together with big, plain washers (pos. 7).
3. Cut the bumper according to the fig. 2 and then reassemble it
4. Tighten all nuts and bolts according to the torque shown in the table
5. Position the ball of towbar (pos. 2) and fix with M12x75mm screws (pos. 4) from the towbar accessories.
6. Fix the socket plate (pos. 3) as shown on the drawing.
7. Connect the electric wires according to the instructions of the car
8. Complete the paint cover of towbar (during the mounting paint cover could be destroyed)

Torque settings for nuts and bolts (8,8):

M6 - 11 Nm	M8 - 25 Nm	M10 - 50 Nm
M12 - 87 Nm	M14 - 138 Nm	M16 - 210 Nm

NOTE

After install the towbar you should get adequate note in registration book (at authorised service station). The car should be equipped with:

- Indicators
- Tow mirrors

After 1000km of exploitation check all bolts and nuts. The ball of towbar must be always kept clear and conserve with a grease.

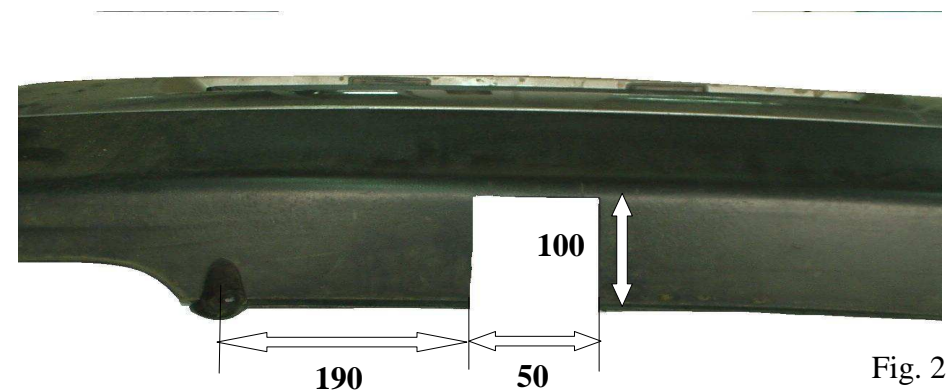
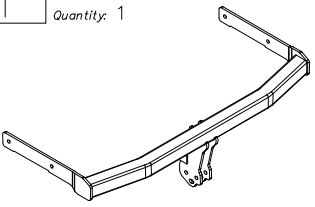
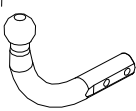
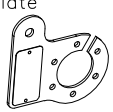

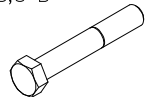


Fig. 2

Towbar accessories:

Pos. 1	Name: Main bar Quantity: 1	Pos. 5	Name: Bolt 8,8 B Quantity: 4 Dim. : M10x35mm	Pos. 11	Name: Spring washer Quantity: 4 Dim. : Ø 10,2 mm
		Pos. 6	Name: Nut 8 B Quantity: 2 Dim. : M12	Pos. 12	Name: Spring Quantity: 1
		Pos. 7	Name: Washer Quantity: 4 Dim. : Ø42xØ12x2mm	Pos. 13	Name: Bolt 8,8 B Quantity: 1 Dim. : M8x30mm
Pos. 2	Name: Tow ball Quantity: 1	Pos. 8	Name: Plain washer Quantity: 2 Dim. : Ø 13 mm	Pos. 14	Name: Plain washer Quantity: 2 Dim. : Ø 8,5 mm
		Pos. 9	Name: Plain washer Quantity: 4 Dim. : Ø 10,5 mm	Pos. 15	Name: Nut 8 B Quantity: 1 Dim. : M8
Pos. 3	Name: Socket plate Quantity: 1	Pos. 10	Name: Spring washer Quantity: 2 Dim. : Ø 12,2 mm	Pos. 16	Name: Ball cover Quantity: 1
					
Pos. 4	Name: Bolt 8,8 B Quantity: 2 Dim. : M12x75mm				
					



PPUH AUTO-HAK S.J.

Produkcja Zaczepów Kulowych
Henryk & Zbigniew Nejman
76-200 SŁUPSK ul. Słoneczna 16K
tel/fax (059) 8-414-414; 8-414-413
E-mail: office@autohak.com.pl
www.autohak.com.pl

Towing hitch (without electrical set)

Class: **A50-X** Cat. no. **SC42**

Designed for:

Manufacturer: **SEAT**

Model: **IBIZA**

Type: **3-5 doors**

produced since 05.2002 till 2008

Technical data:

D-value: 6,92 kN

maximum trailer weight: **1200 kg**

maximum vertical cup load: **50 kg**

Approval number acc. to regulations EKG/ONZ 55.01: E20-55R-01 0825

Foreword

This towing hitch is designed according to rules of safety traffic regulations. The towing hitch is a safety component and can be install only by qualified personnel. Any alteration or conversion of the towing hitch is prohibited and would lead to cancellation of design certification. Remove insulating compound and underseal from vehicle (if present) in the areas of the matting surfaces of the towing hitch. The vehicle manufacturer's specifications regarding trailer load and max. vertical cup mass are decisive for driving whereat values for the towing hitch cannot be exceeded.

D-value formula:

$$\frac{\text{Max trailer weight [kg]} \times \text{Max vehicle weight [kg]}}{\text{Max trailer weight [kg]} + \text{Max vehicle weight [kg]}} \times \frac{9,81}{1000} = D \text{ [kN]}$$